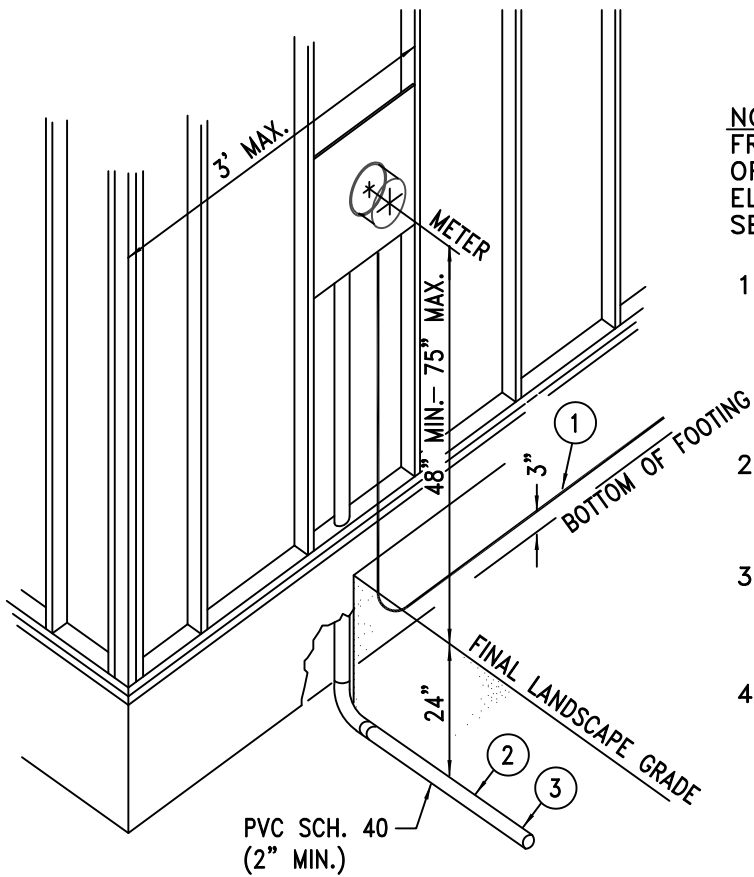


# UNDERGROUND INSTALLATION

**NOTE:** THE FOLLOWING STATEMENTS ARE DERIVED FROM THE CALIFORNIA ELECTRIC CODE. ANY VIOLATION OF THESE STATEMENTS OR ANY OTHER CALIFORNIA ELECTRIC CODE WILL RESULT IN REFUSAL OF SERVICE HOOK UP BY ROSEVILLE ELECTRIC.

1. UFER GROUND TO BE MIN. 20' LENGTH AND MAINTAIN A 3" CLEARANCE TO BOTTOM OF FOOTING. IT IS TO BE CONSTRUCTED OF COPPER (SEE BELOW FOR SIZE) OR #4 REBAR. SEE C.E.C. 250.52.
2. SERVICE ENTRANCE CONDUIT TO BE INSTALLED BY OWNER. SEE PAGE 2 FOR INSTALLATION REQUIREMENTS.
3. WHERE TRENCH IS PARALLEL TO FOUNDATION A MINIMUM DISTANCE OF 2' IS REQUIRED TO EDGE OF TRENCH.
4. PLEASE SCHEDULE YOUR UNDERGROUND CONDUIT INSPECTION ONLINE AT [permitsonline@roseville.ca.us](mailto:permitsonline@roseville.ca.us) PRIOR TO BACKFILLING.



## SERVICE ENTRANCE CONDUCTORS

### ALUMINUM

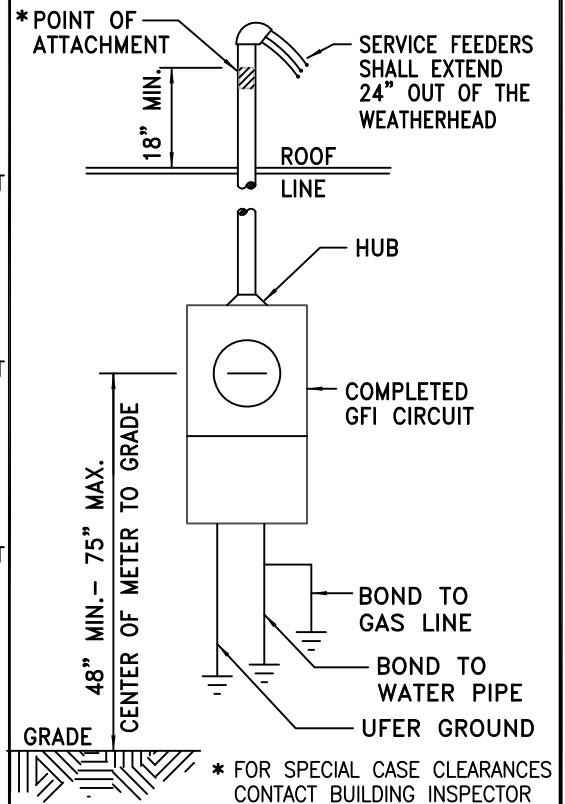
100-AMPERES 3-#2 RHW OR THW 1 1/4" RISER or 2" U.G. CONDUIT 1-#8 GROUND CU.	200-AMPERES 2-#4/0 RHW OR THW 1-#2/0 RHW OR THW 2" RISER/U.G. CONDUIT 1-#4 GROUND CU.
125-AMPERES 3-#1/0 RHW OR THW 1 1/2" RISER or 2" U.G. CONDUIT 1-#8 GROUND CU.	300-AMPERES 2-#350 MCM 1-#250 MCM 3" RISER/U.G. CONDUIT 1-#2 GROUND CU.
125-AMPERES 2-#1/0 RHW OR THW 1-#2 RHW OR THW 1 1/2" RISER or 2" U.G. CONDUIT 1-#8 GROUND CU.	350-AMPERES 2-#500 MCM 1-#350 MCM 3" RISER/U.G. CONDUIT 1-#2 GROUND CU.
200-AMPERES 3-4/0 RHW OR THW 2" RISER/U.G. CONDUIT 1-#4 GROUND CU.	

### COPPER

100-AMPERES 3-#4 RHW OR THW 1 1/4" RISER or 2" U.G. CONDUIT 1-#8 GROUND CU.	300-AMPERES 2-#250 MCM 1-#4/0 3" RISER/U.G. CONDUIT 1-#2 GROUND CU.
125-AMPERES 3-#2 THW 1 1/2" RISER or 2" U.G. CONDUIT 1-#8 GROUND CU.	350-AMPERES 2-#350 MCM 1-#250 MCM 3" RISER/U.G. CONDUIT 1-#2 GROUND CU.
200-AMPERES 3-#2/0 THW 2" RISER/U.G. CONDUIT 1-#4 GROUND CU.	400-AMPERES 2-#400 MCM 1-#300 MCM 3" RISER/U.G. CONDUIT 1-#2 GROUND CU.
200-AMPERES 2-#2/0 THW 1-#1 THW 2" RISER/U.G. CONDUIT 1-#4 GROUND CU.	

\*\* U.G. = UNDERGROUND

## OVERHEAD INSTALLATION



ENGINEERING MANAGER

OPERATIONS MANAGER

ENG. TECH SUPERVISOR

## ELECTRIC SERVICE ENTRANCE REQUIREMENTS

REVIEW COMMITTEE

DATE

03/21/24

CITY OF ROSEVILLE  
ROSEVILLE ELECTRIC  
CONSTRUCTION STANDARD

DR.NO.  
1 of 2

PAGE 8.1.4